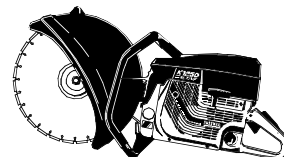


PARTNER



IPL, K1250 Active, K1250 Rail, 2006-07, 544 93 37-01

***K1250 Active
K1250 Rail***

Reservdelar

Spare parts

Ersatzteile

Pieces de rechange

Piezas de repuesto

Ricambi

***Peças
sobresselente***

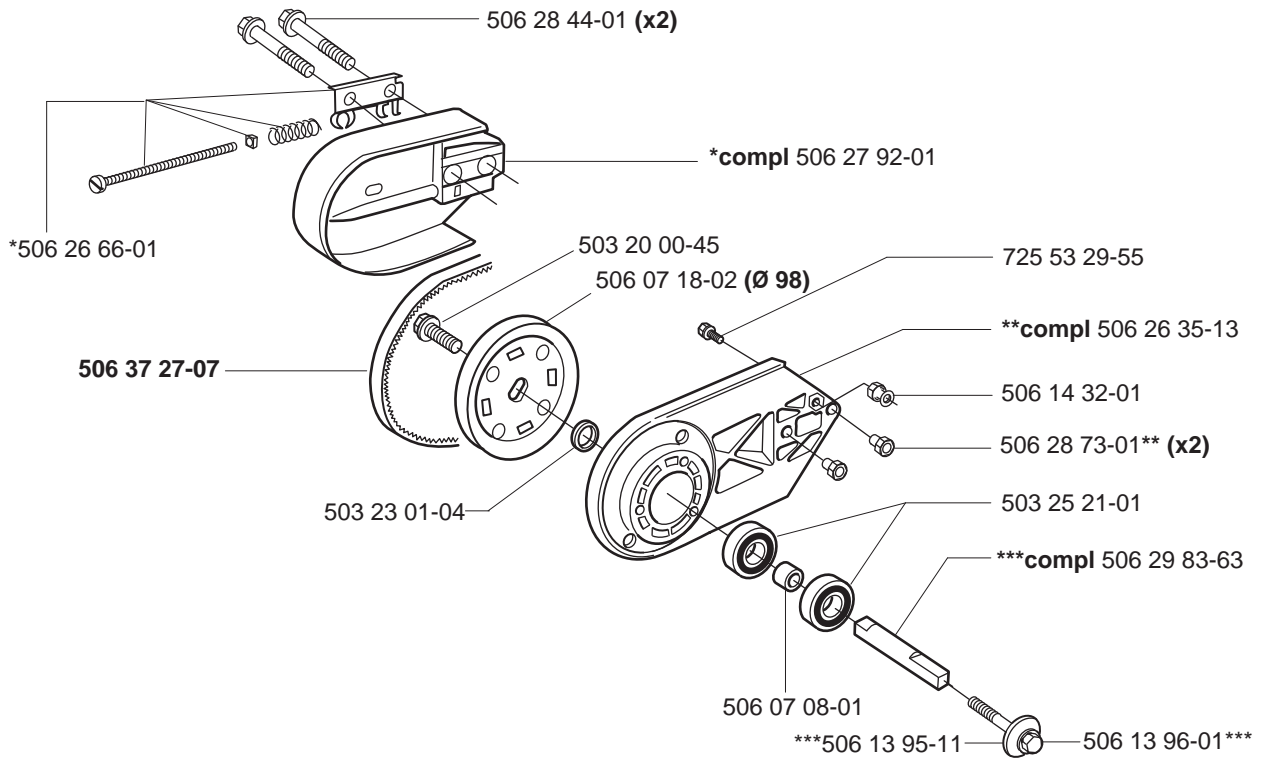
544 93 37-01

PARTNER[®]

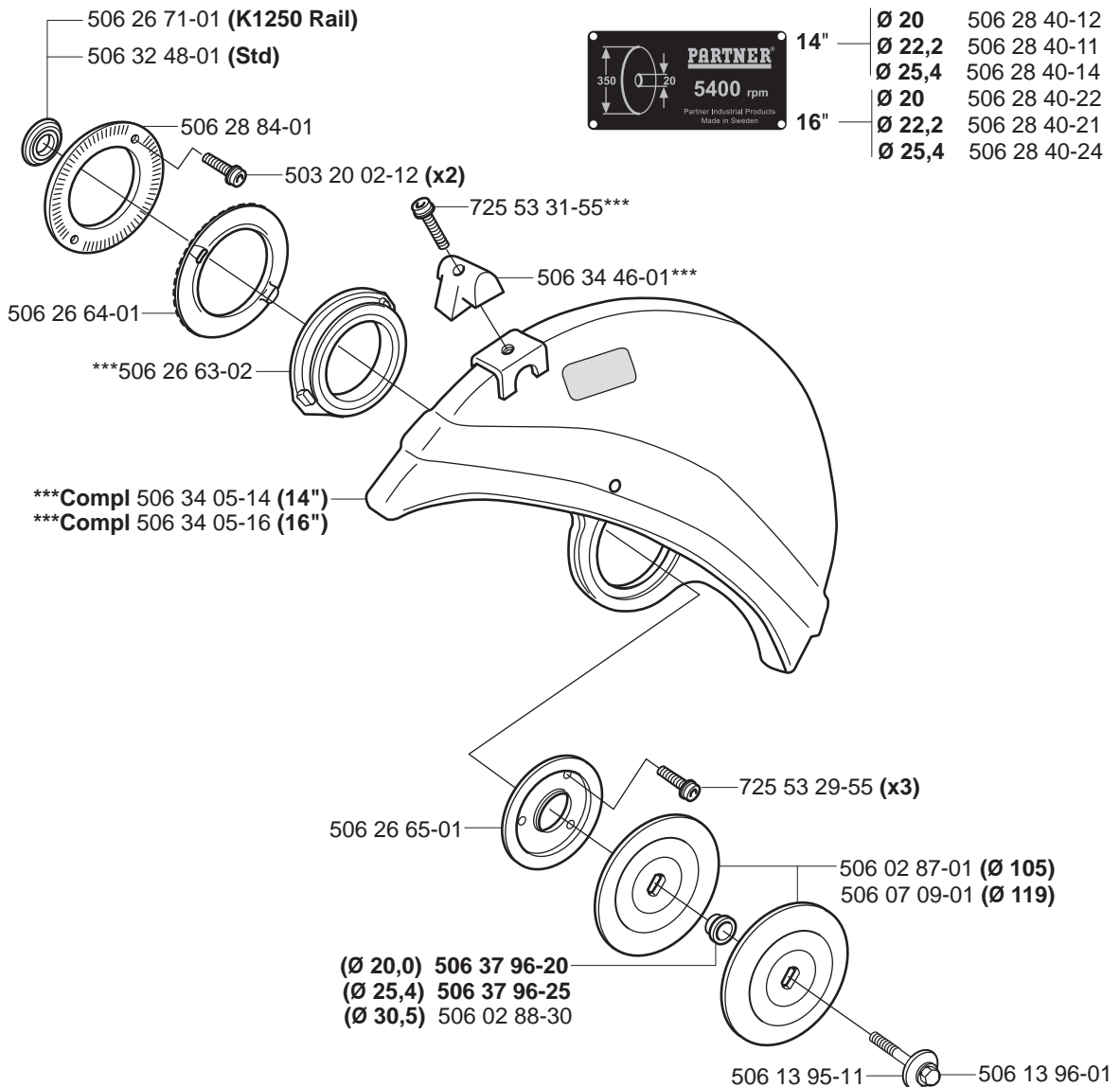
No.	Pos.	Description	No.	Pos.	Description
501 26 97-04	D	ANTIVIBE ELEMENT	503 21 90-08	J	SCREW
501 27 08-01	D	SLEEVE	503 22 00-01	CD	NUT
501 46 75-01	M	GASKET, METERING SIDE	503 22 10-03	J	NUT
501 46 84-01	M	SPRING	503 22 20-07	E	NUT
501 46 85-01	M	BALL	503 22 65-04	G	NUT
501 48 54-02	J	SPARK PLUG CONN. KIT	503 22 66-01	Q	NUT
501 63 48-01	J	SPRING	503 23 00-05	E	WASHER
501 66 61-01	M	SCREEN	503 23 00-42	J	WASHER
501 67 32-03	J	PAWL	503 23 01-04	A	WASHER
501 69 17-02	N	COMB.TOOL	503 23 43-02	H	WASHER
501 69 28-01	M	COVER	503 23 51-09	E	SPARK PLUG
501 76 83-04	G	HOSE	503 25 00-02	DF	BALL BEARING
501 81 47-01	G	ANTIVIBE ELEMENT	503 25 21-01	AQ	BALL BEARING
501 81 57-01	D	BOLT	503 25 38-01	C	NEEDLE BEARING
501 81 99-01	J	SCREW	503 26 02-05	D	SEALING RING
501 83 98-03	J	LEAD	503 26 30-21	P	O-RING
501 89 25-73	D	CRANKCASE CPL	503 26 60-01	P	FEMALE QUICK COUPLER
501 89 41-03	E	PISTON CPL	503 28 12-17	LM	CARBURETOR WG9
501 89 50-03	J	FLYWHEEL	503 28 90-26	E	PISTON RING
501 89 59-02	H	AIR CONDUCTOR	503 52 58-01	M	CHOKE FLAP
501 89 59-03	H	AIR CONDUCTOR	503 52 59-01	M	SPRING
501 89 67-01	H	PULLEY	503 52 60-01	M	PIN
502 10 31-01	M	BUSHING	503 56 34-01	M	INLET NEEDLE
503 11 72-01	M	GASKET	503 56 45-01	M	SEALING RING
503 11 73-01	M	DIAPHRAGM	503 57 42-01	M	WELCH PLUG
503 11 75-01	M	SCREW W/ WASHER	503 57 76-02	G	HOSE
503 12 79-02	H	STARTER HANDLE	503 57 89-01	G	HOLDER
503 13 00-04	E	MUFFLER	503 59 55-01	M	O-RING
503 13 13-04	E	GASKET	503 59 56-01	M	LEVER
503 13 16-01	G	THROTTLE CATCH	503 59 57-01	M	LEVER
503 13 18-01	G	SPRING	503 59 58-01	M	COVER
503 13 20-01	D	GROMMET	503 59 59-01	M	THROTTLE SHAFT
503 13 24-01	J	GROMMET	503 59 65-01	M	SCREW
503 13 25-01	G	ANTIVIBE ELEMENT	503 59 72-01	M	WASHER
503 13 26-01	G	ANTIVIBE ELEMENT	503 59 74-02	M	DIAPHRAGM SET
503 13 27-01	G	ANTIVIBE ELEMENT	503 59 84-01	M	NIPPLE
503 13 29-01	EF	SUPPORT BUSHING	503 63 24-01	M	THROTTLE VALVE
503 13 36-01	G	THROTTLE LEVER	503 63 28-01	M	DIAPHRAGM
503 13 46-01	E	GASKET	503 63 29-01	M	SCREW
503 13 50-01	H	RECOIL SPRING	503 63 31-01	M	SPRING
503 14 05-01	G	PLATE	503 63 32-01	M	SCREW
503 14 08-01	G	BUSHING	503 66 56-01	E	VALVE
503 14 20-73	F	CRANKSHAFT	503 74 36-01	H	DfMPING DISC
503 14 21-07	G	TANK UNIT CPL	503 97 66-01	M	JET
503 14 23-01	G	THROTTLE CATCH,KIT	504 35 72-01	G	FUEL FILTER
503 14 37-01	L	SEALING	505 31 67-17	M	SCREW
503 14 49-01	C	CLUTCH CPL	505 31 67-23	M	LEVER SPRING
503 14 51-01	C	CLUTCH SPRING	505 31 67-31	M	LEVER AXLE
503 14 54-02	D	GROMMET	505 31 67-34	M	LEVER
503 19 22-01	M	SCREW	505 31 67-37	M	PRESSURE SPRING
503 20 00-45	A	SCREW	505 31 67-48	M	WASHER
503 20 02-10	G	SCREW	506 02 83-01	M	WASHER
503 20 02-12	BDG	SCREW	506 02 87-01	B	WASHER
503 20 02-16	Q	SCREW	506 02 88-30	B	BUSHING
503 20 02-20	DL	SCREW	506 07 08-01	AQ	SPACER
503 20 02-25	G	SCREW	506 07 09-01	B	WASHER
503 20 02-30	GK	SCREW	506 07 18-02	A	PULLEY
503 20 02-65	D	SCREW	506 09 56-02	P	CLAMP
503 20 03-12	G	SCREW	506 09 58-24	P	HOSE 800 MM
503 20 07-12	Q	SCREW	506 09 75-02	P	HOSE
503 20 25-20	J	SCREW	506 13 95-11	AB	WASHER
503 20 30-11	Q	SCREW	506 13 96-01	AB	SCREW
503 20 34-25	HK	SCREW	506 14 32-01	A	CATCH
503 20 34-55	K	SCREW	506 14 90-01	G	SUPPORT
503 21 05-25	G	SCREW	506 22 75-01	Q	SLEEVE
503 21 06-16	H	SCREW	506 23 18-02	K	AIR FILTER
503 21 06-19	P	SCREW	506 23 34-01	G	PROTECTOR
503 21 06-32	G	SCREW	506 23 70-01	D	JET
503 21 45-16	G	SCREW	506 24 10-71	L	INTAKE PIPE
503 21 60-25	E	SCREW	506 24 13-01	L	AIR HORN
503 21 64-01	E	SCREW	506 24 14-01	D	ARM
503 21 75-65	L	SCREW	506 25 01-01	G	SUPPORT

No.	Pos.	Description	No.	Pos.	Description
506 25 02-01	L	COLLAR	506 32 87-01	P	Y TUBE
506 25 03-01	K	INSERT	506 32 89-03	P	WET CUTTING KIT
506 25 04-01	L	BRACKET	506 32 90-01	P	WATER HOSE KIT
506 25 43-01	D	CHOKE CONTROL	506 33 56-25	H	STARTER ROPE
506 25 46-01	L	GUIDE	506 34 05-14	B	GUARD
506 25 49-01	C	WHEEL	506 34 05-16	B	GUARD
506 25 49-02	C	WHEEL	506 34 05-24	Q	GUARD
506 25 49-03	C	WHEEL	506 34 05-26	Q	GUARD
506 25 53-01	G	HANDLE	506 34 14-01	E	PLATE
506 25 56-01	K	COVER	506 34 46-01	BPQ	HANDLE
506 25 57-01	K	BASE	506 35 27-01	P	SPRING
506 25 58-01	H	COVER	506 35 80-01	R	BRACKET
506 25 59-32	G	TANK CAP	506 35 90-01	R	CABLE CPL
506 26 35-13	A	HOUSING	506 35 91-01	R	STOP SWITCH
506 26 41-01	G	FILTER	506 35 91-02	R	STOP SWITCH
506 26 41-11	G	FILTER	506 35 96-01	R	SPACER
506 26 63-02	BQ	LINING	506 37 27-07	A	V-BELT
506 26 64-01	B	FLANGE	506 37 27-38	Q	V-BELT
506 26 65-01	B	FLANGE	506 37 96-20	B	BUSHING
506 26 66-01	A	TENSIONER	506 37 96-25	B	BUSHING
506 26 66-03	Q	TENSIONER	530 03 50-15	M	SCREW SHUTTERS
506 26 68-01	Q	SPRING	535 03 94-01	R	BRACKET
506 26 70-31	Q	HOUSING	537 00 28-01	M	O-RING
506 26 70-38	Q	HOUSING	537 00 29-01	M	INSERT
506 26 71-01	B	SLEEVE	537 00 30-01	M	CHOKE SHAFT
506 26 84-01	C	SLEEVE	537 00 31-01	M	SCREW
506 26 87-01	K	AIR FILTER	537 15 34-01	M	JET
506 26 97-02	D	PLUG	544 01 88-01	J	IGNITION MODULE
506 27 11-01	G	PENDULUM	720 12 40-20	G	PIN
506 27 17-01	C	PROTECTOR	720 12 78-06	G	PIN
506 27 18-01	C	DECAL	721 42 06-00	D	PIN
506 27 43-01	L	GASKET	725 53 29-55	AB	SCREW
506 27 49-01	E	OUTLET	725 53 31-55	BDQ	SCREW
506 27 54-01	K	CYLINDER COVER	725 53 39-55	D	SCREW
506 27 55-01	H	STARTER DEVICE	725 53 68-55	EG	SCREW
506 27 84-42	K	DECAL	725 53 70-55	DG	SCREW
506 27 84-63	K	DECAL	729 53 27-71	R	SCREW
506 27 84-64	K	DECAL	729 53 40-01	E	SCREW
506 27 87-01	E	SUPPORT	735 11 73-50	J	SPRING WASHER
506 27 89-01	H	DECAL	735 88 06-00	F	WOODRUFF KEY
506 27 90-01	K	DECAL	737 44 13-00	E	CLIP
506 27 91-01	K	DECAL			
506 27 92-01	A	COVER			
506 27 92-31	Q	PROTECTOR			
506 27 92-38	Q	PROTECTOR			
506 28 39-30	K	SEALING			
506 28 40-11	B	LABEL			
506 28 40-12	B	LABEL			
506 28 40-14	B	LABEL			
506 28 40-21	B	LABEL			
506 28 40-22	B	LABEL			
506 28 40-24	B	LABEL			
506 28 44-01	A	BOLT			
506 28 59-01	C	SPACER SLEEVE			
506 28 73-01	A	NUT			
506 28 84-01	BQ	FLANGE			
506 28 97-01	L	FLANGE			
506 28 98-01	G	WIRE			
506 29 21-01	G	GASKET			
506 29 24-02	DELN	GASKET SET			
506 29 39-01	G	AIR CONDUCTOR			
506 29 42-71	E	CYLINDER			
506 29 56-01	P	NIPPLE			
506 29 57-02	P	NIPPLE			
506 29 81-01	Q	DECAL			
506 29 83-63	AQ	SHAFT			
506 29 88-01	P	SCREEN			
506 31 38-01	L	INSERT			
506 31 77-11	P	VALVE CPL			
506 31 86-01	J	STOP SWITCH			
506 32 21-02	K	DECAL			
506 32 48-01	B	FLANGE			

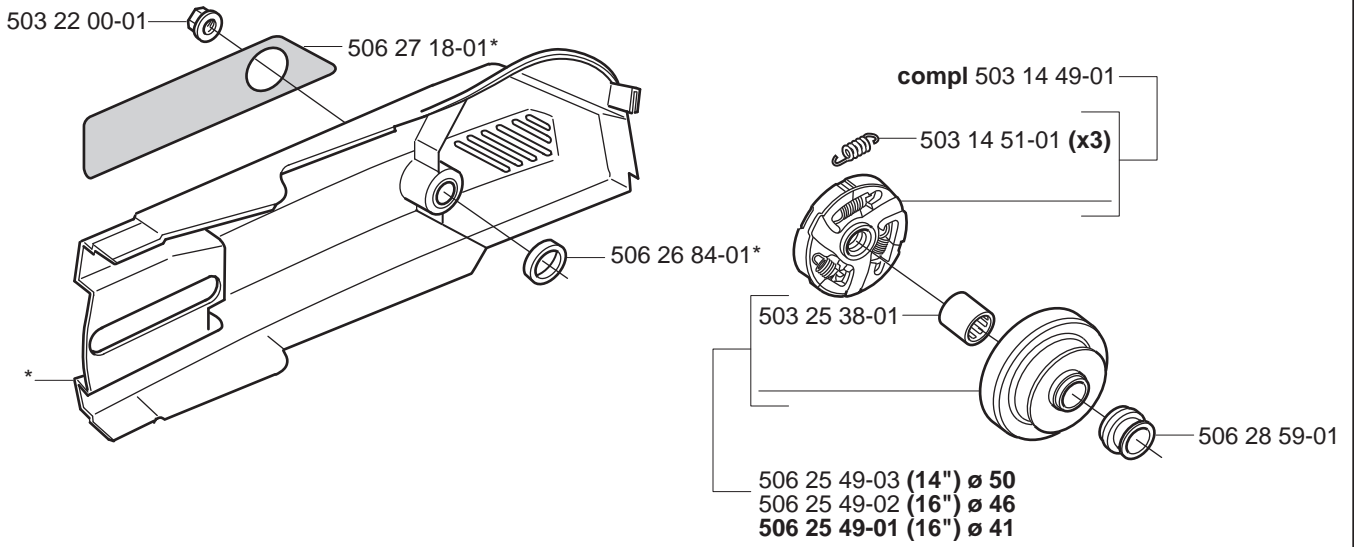
A



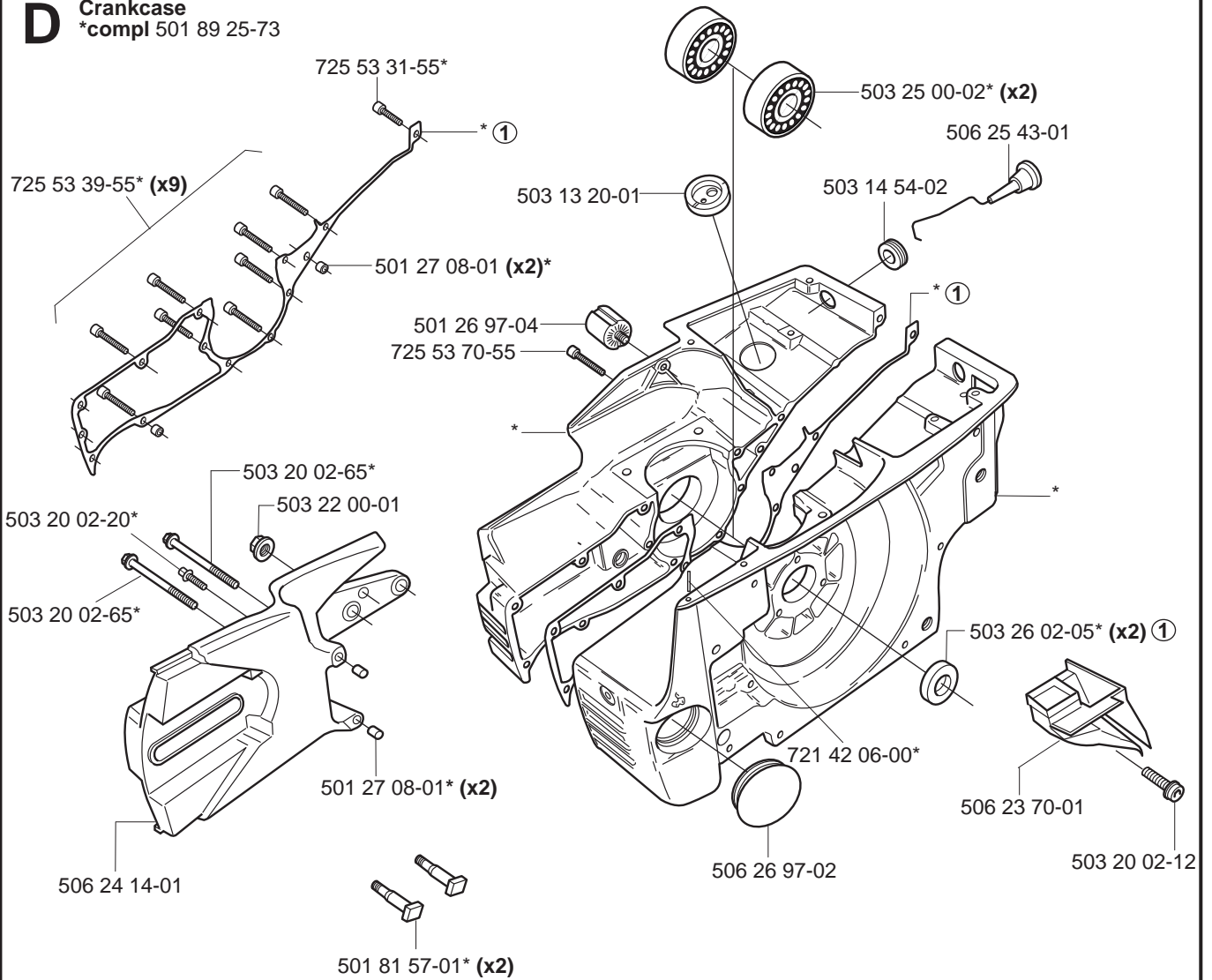
B



C *compl 506 27 17-01

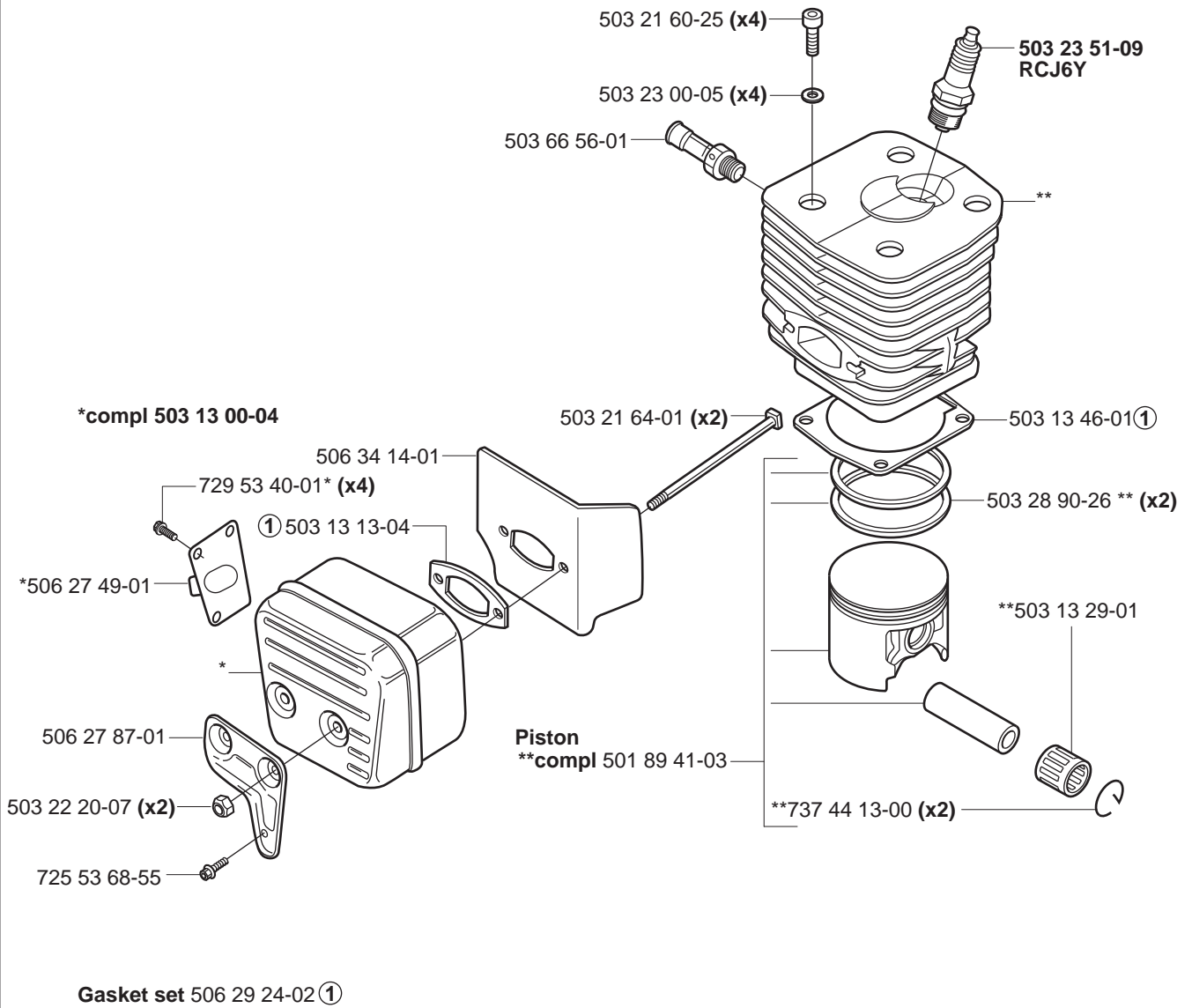


D Crankcase
 *compl 501 89 25-73

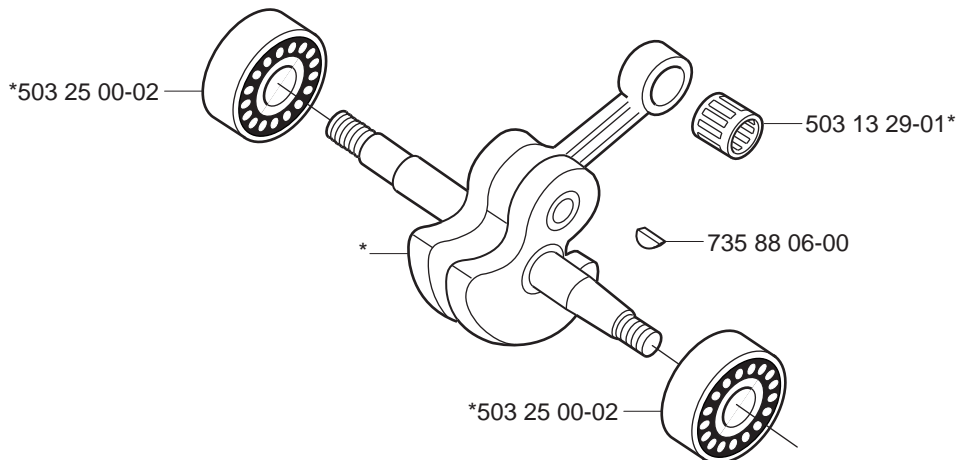


① Gasket set 506 29 24-02

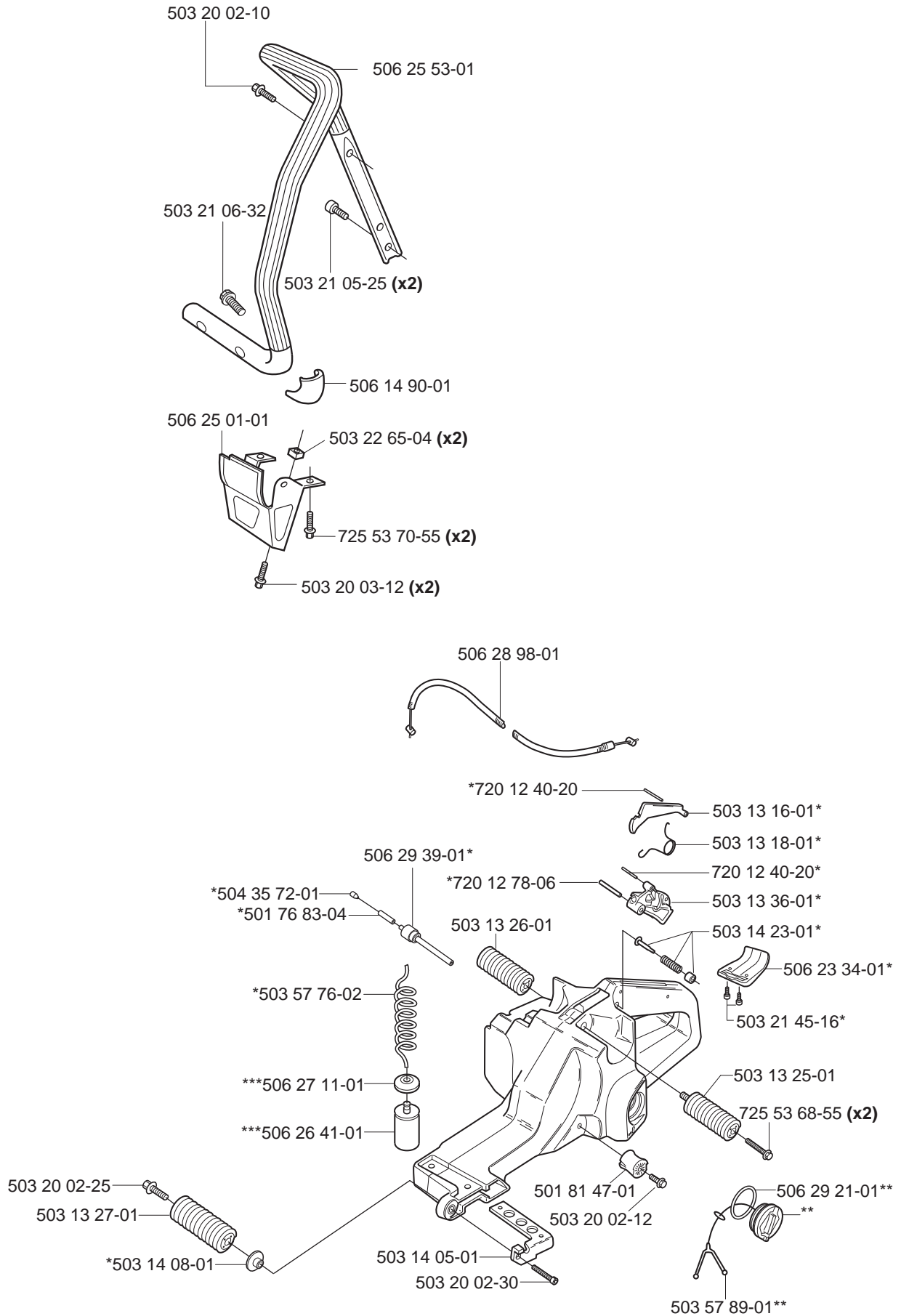
E Cylinder
****compl** 506 29 42-71



F *compl 503 14 20-73



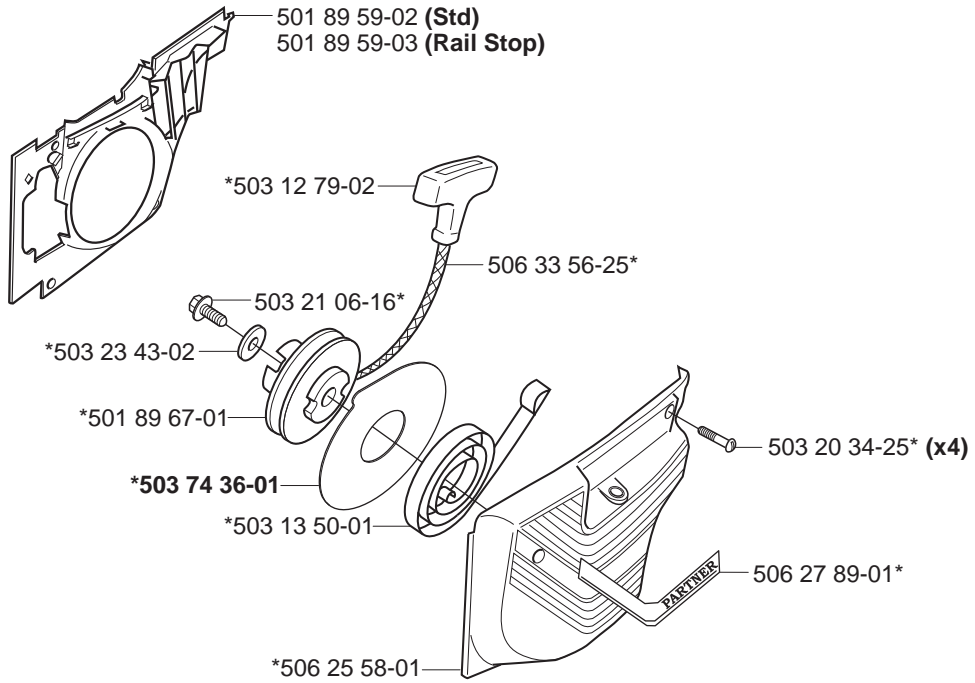
G Tank unit
 *compl 503 14 21-07



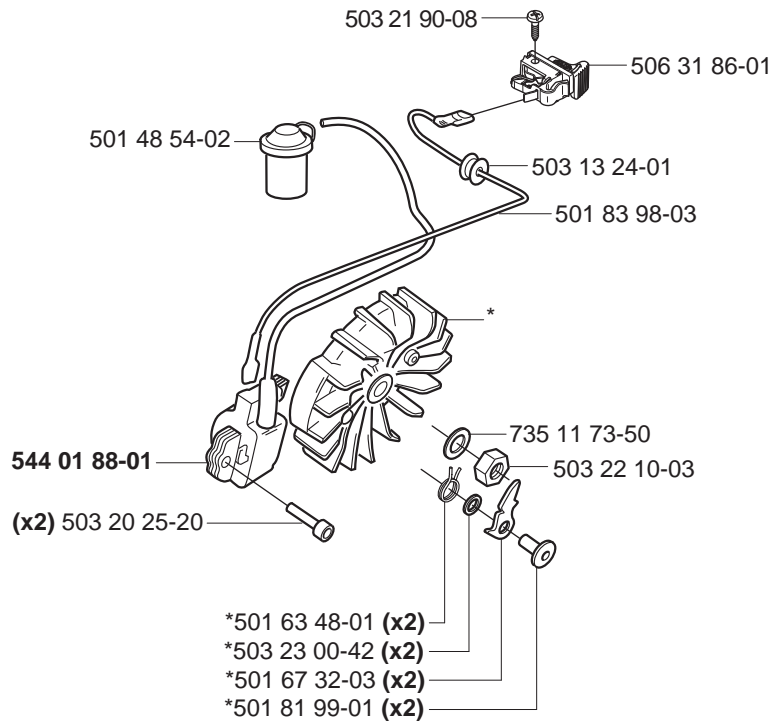
*** compl 506 26 41-11

**compl 506 25 59-32

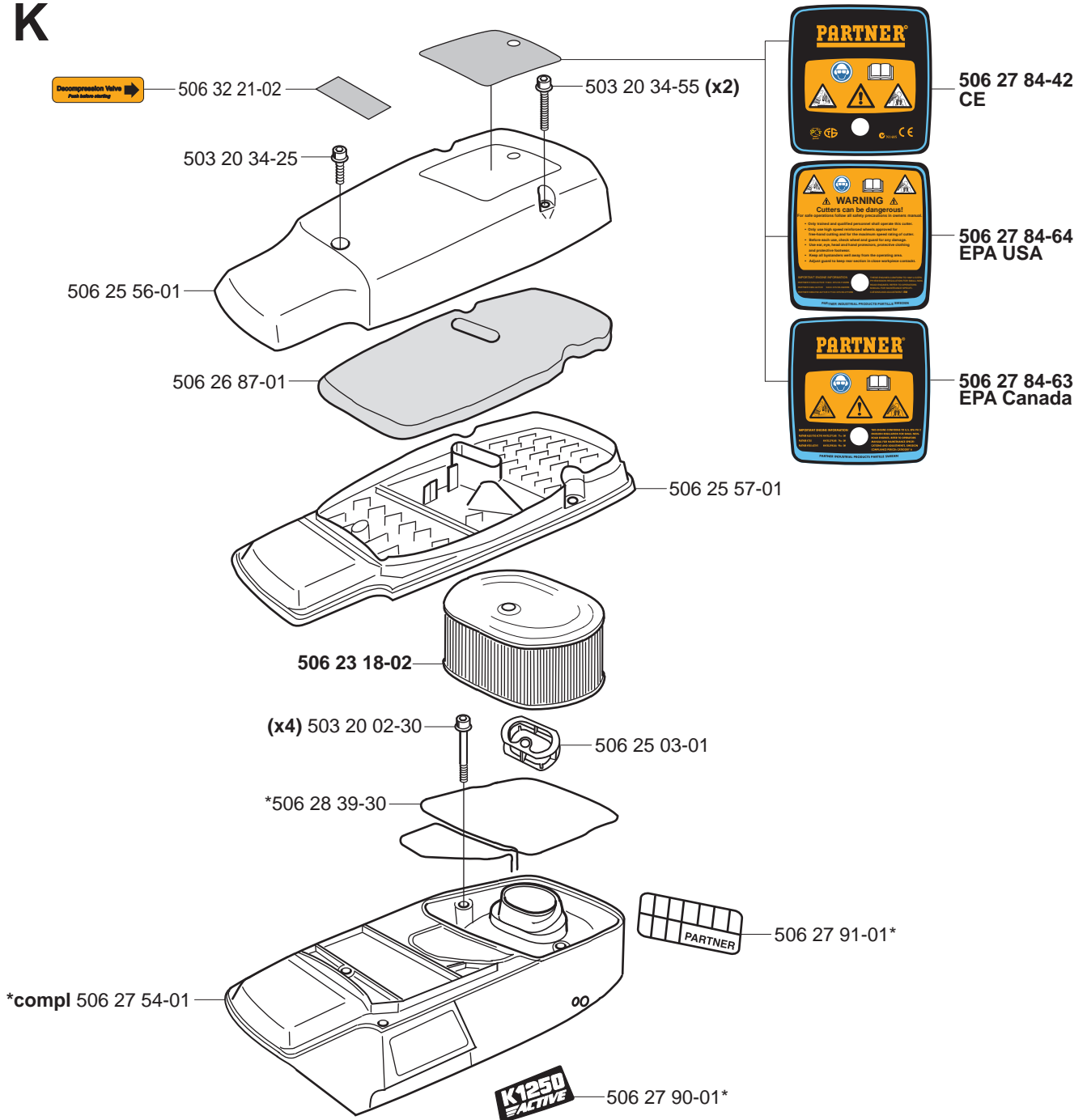
H Starter
 *compl 506 27 55-01



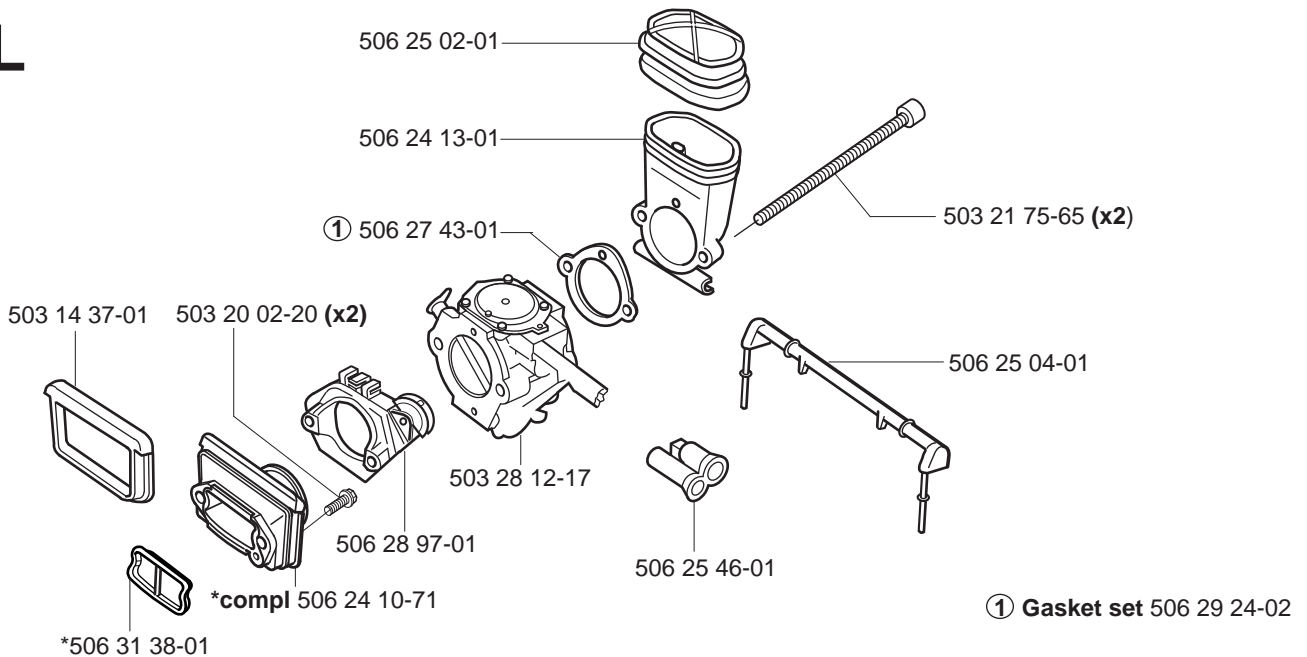
J Flywheel
 *compl 501 89 50-03



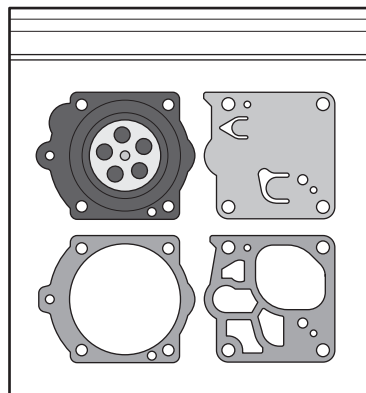
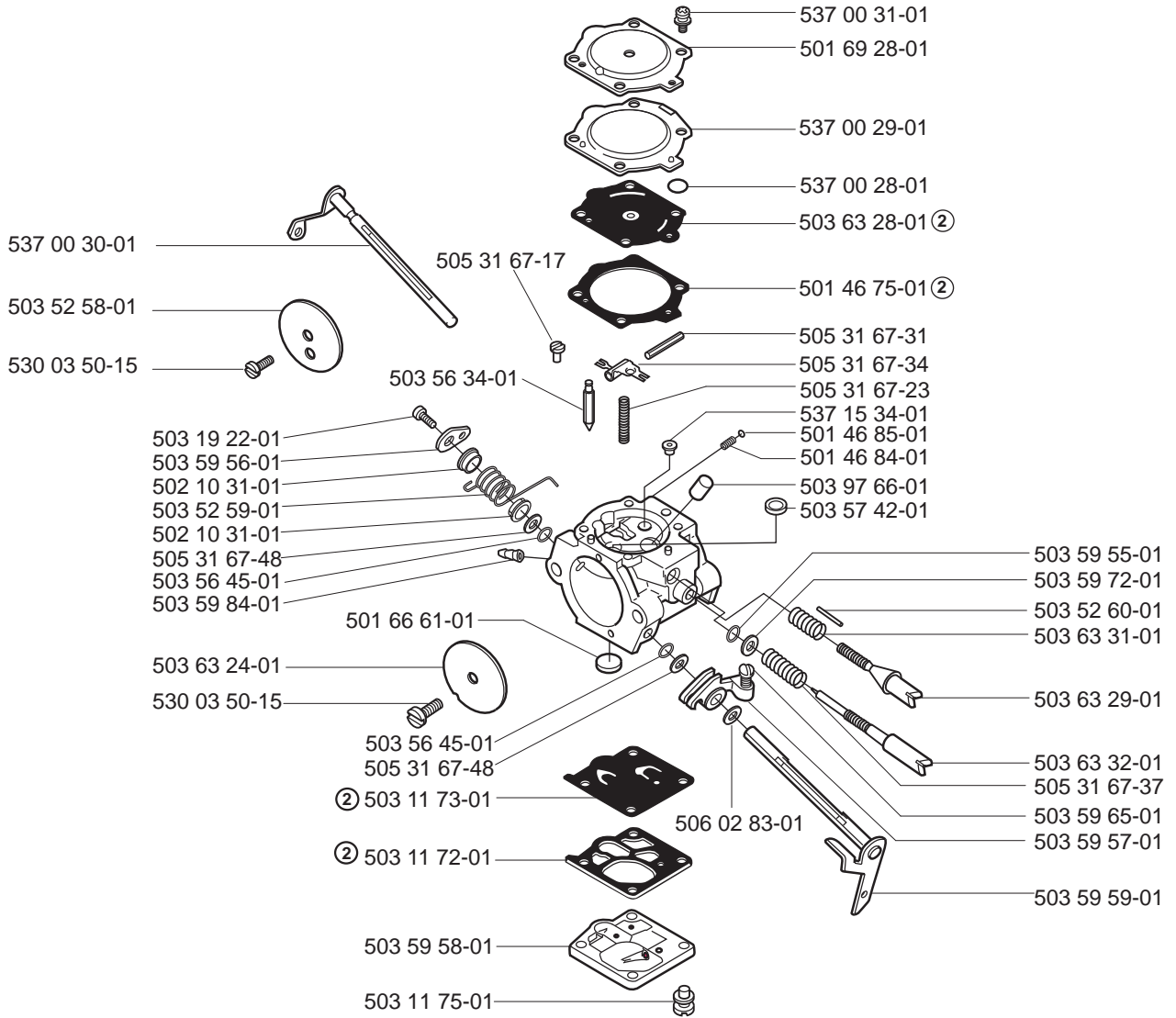
K



L

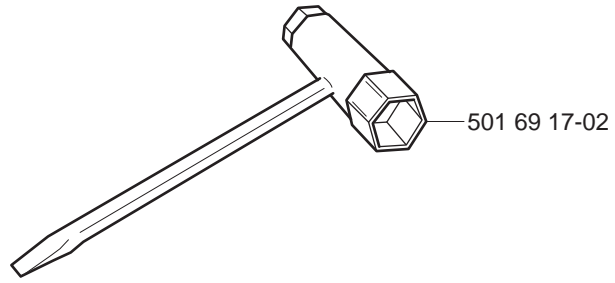


M Carburettor
compl 503 28 12-17 Walbro WG 9



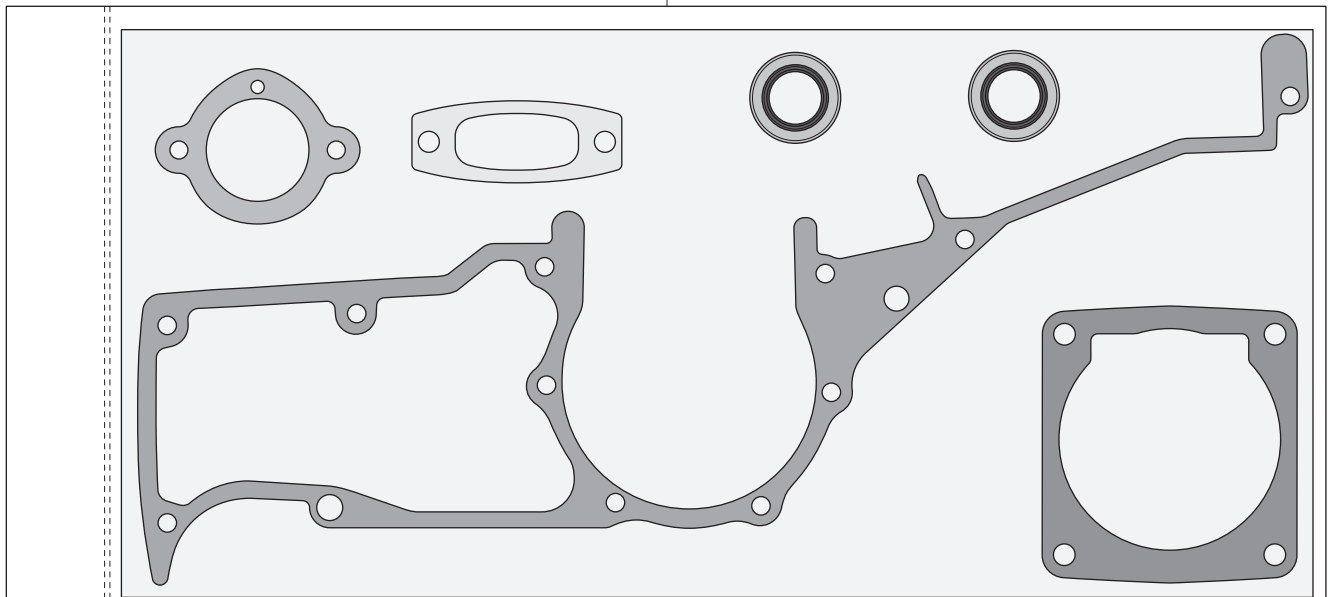
503 59 74-02 ②
**Diaphragm
and gasket set
B2601-WG**

N Accessories
Zubehöre
Accessoires
Accesorios
Tillbehör

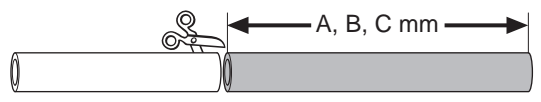
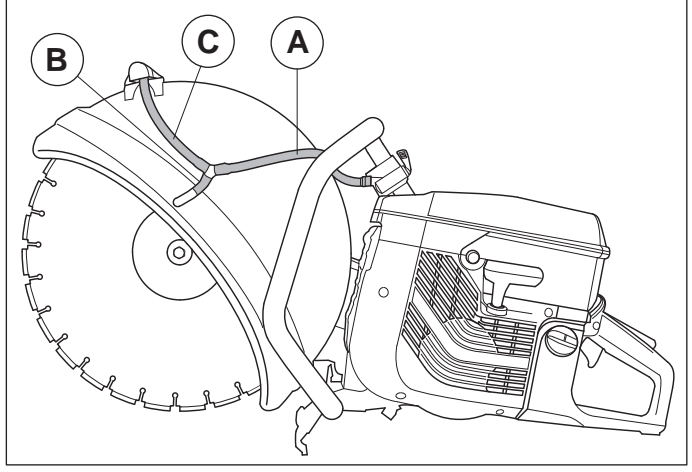
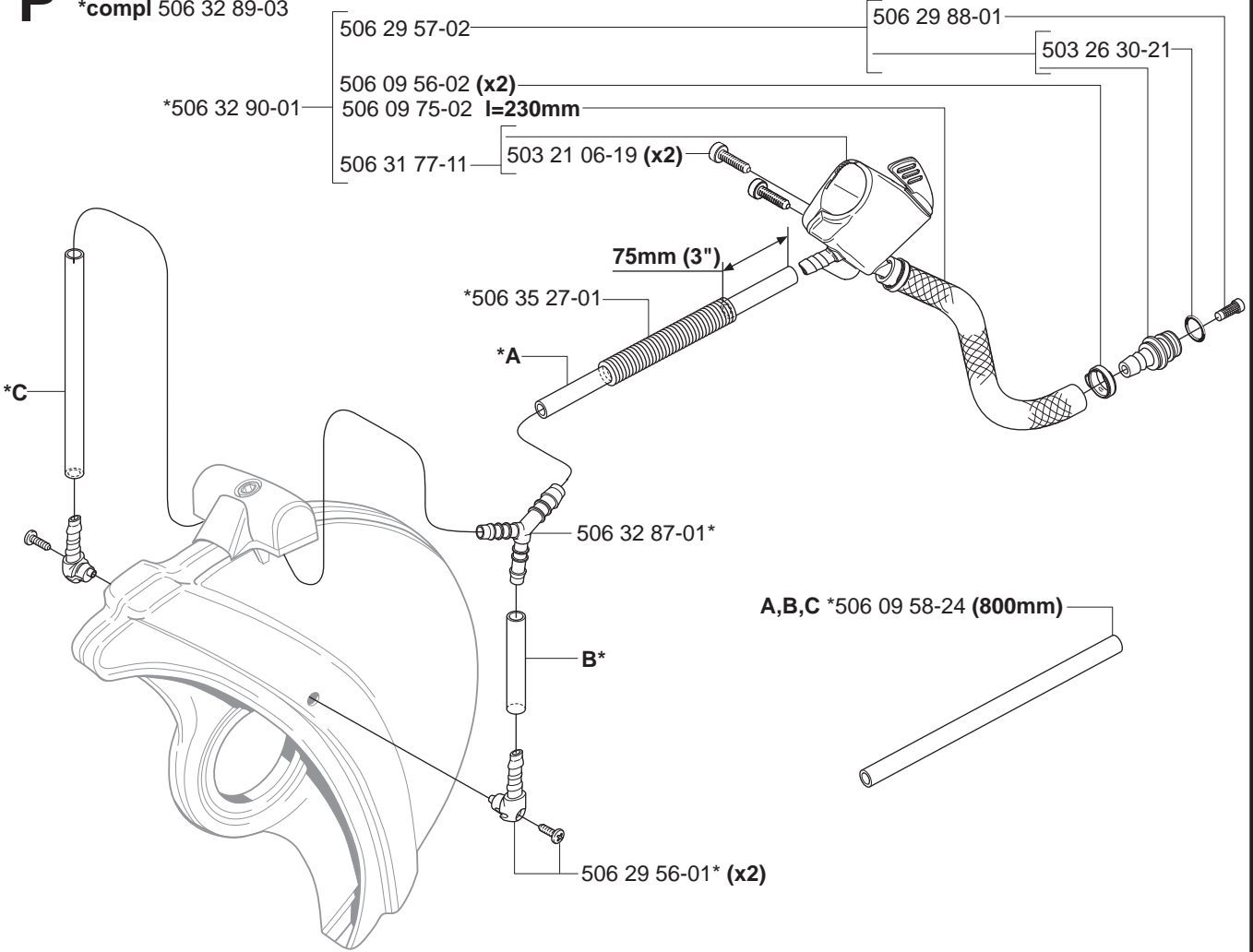


506 29 24-02 ①

Set of gaskets
Dichtungssatz
Jeu de joints
Juego de juntas
Packningssats



P Wet cutting kit
 *compl 506 32 89-03

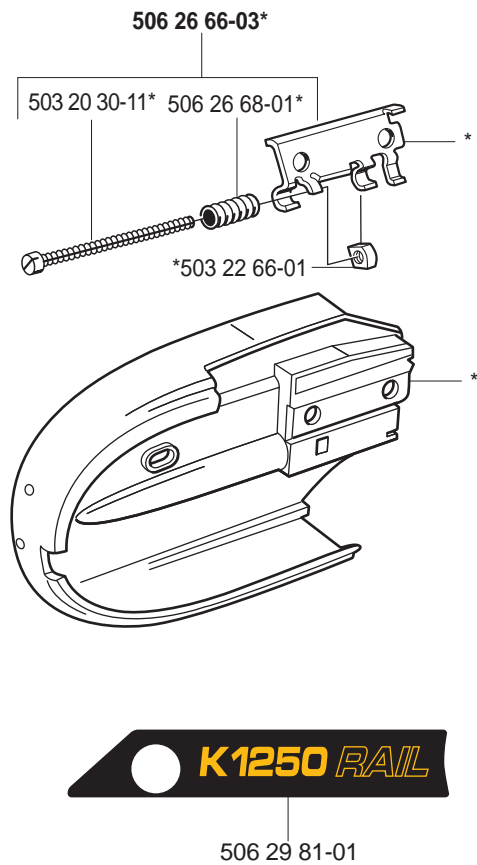


Product		A (mm)	B (mm)	C (mm)
K1250A	14"	280	45	280
	16"	270	45	360

Q K1250 RAIL

*compl 506 27 92-31 14"

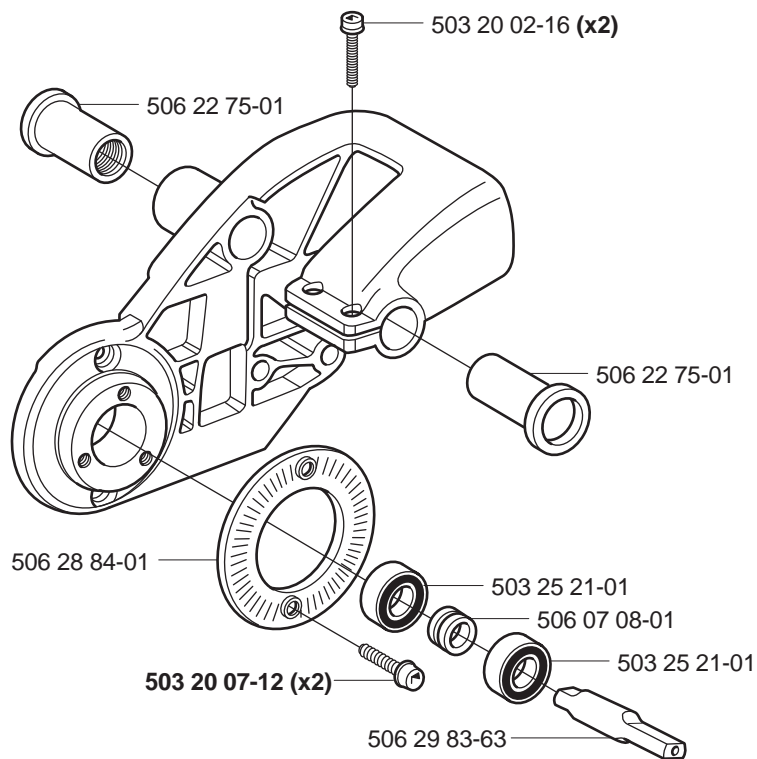
*compl 506 27 92-38 16"



Q K1250 RAIL

compl 506 26 70-31 14"

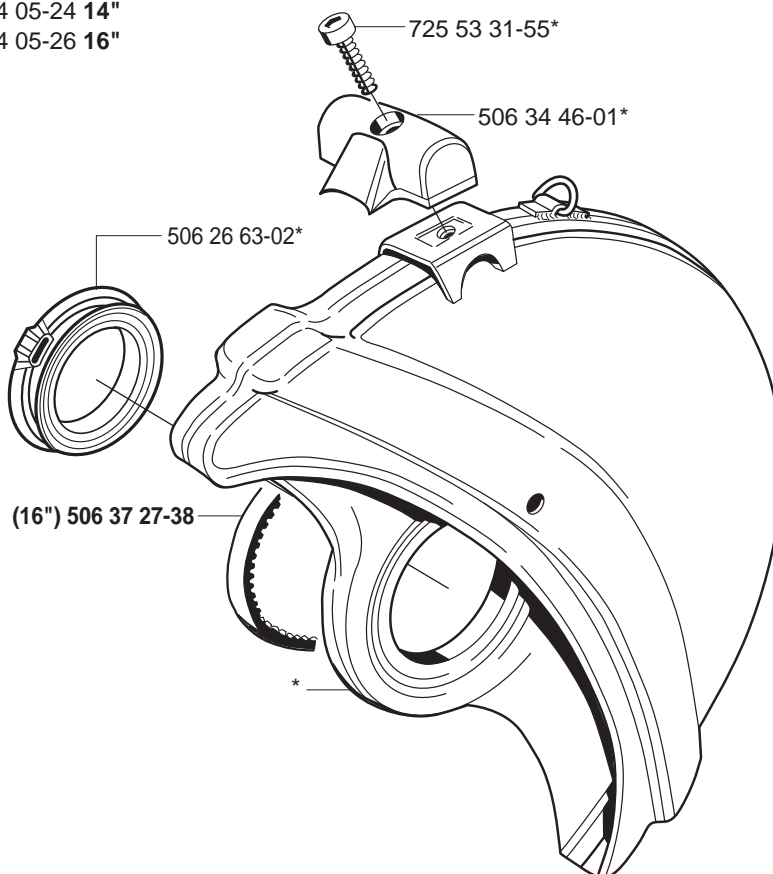
compl 506 26 70-38 16"



Q K1250 RAIL

*compl 506 34 05-24 14"

*compl 506 34 05-26 16"



R K1250 RAIL

Cut-out switch system, 14"/350mm, 16"/400mm.

